

BM2 / BM2W SERIES MOTOR IS A MEDIUM, SPOOL VALVE TYPE MOTOR, THAT CAN BEAR HIGHER PRESSURE THAN BM1.

CHARACTERISTIC FEATURES

- IT ADOPTS THE GEROLOR DESIGN
- HAS HIGHER EFFICIENCY THAN OUR BM1 SERIES
- CREDIBLE DESIGN FOR SHAFT SEAL, WHICH CAN BEAR HIGH PRESSURE AND CAN BE USED IN PARALLEL OR IN SERIES APPLICATION
- DIRECTION OF SHAFT SPEED CAN BE CONTROLLED EASILY AND SMOOTHLY
- BEST EFFICIENCY AND ECONOMY IN MEDIUM LOAD APPLICATIONS
- STANDARD SHAFT SEALS RATED AT 1987 PSI
- NEW, ON MANY SERIES, HIGH PRESSURE SHAFT SEALS UP TO 2900 PSI



BM2



BM2W

MAIN SPECIFICATIONS

DISPLACEMENT IN ³ (CM ³) / REV.		3.0 (50)	3.8 (63)	4.8 (80)	6.1 (100)	7.6 (125)	9.7 (160)	12.2 (200)	15.2 (250)	19.2 (315)	24.4 (400)	30.4 (500)
FLOW (GPM)	CONT.	10.5	10.5	15.8	15.8	15.8	15.8	15.8	15.8	15.8	15.8	15.8
	INT.	13.2	13.2	20	20	20	20	20	20	20	20	20
SPEED (RPM)	CONT.	755	630	750	600	475	375	300	240	190	160	110
	INT.	970	790	940	750	600	470	375	300	240	200	128
PRESSURE (PSI)	CONT.	2030	2030	2030	2030	2030	2392	1885	1595	1235	1235	1160
	INT.	2537	2537	2900	2900	2900	2900	2900	2900	1667	1667	1305
TORQUE (LB-IN)	CONT.	884	1105	1414	1759	2210	2829	2917	3403	3403	4287	5613
	INT.	1105	1388	1680	2122	2581	3359	3960	4844	4880	5923	6674
POWER (HP)	CONT.	13.02	4.65	21.3	21.31	21.31	21.31	18.27	16.75	13.7	13.7	13.7
	INT.	17.78	17.78	29.63	29.63	29.63	29.63	29.61	29.61	22.84	22.84	21.99
LENGTH (IN)	L	0.35	0.45	0.57	0.70	0.91	1.14	1.46	1.81	2.24	2.84	3.54
	L1	5.75	5.84	5.97	6.09	6.30	6.54	6.85	7.21	7.64	8.23	8.94
	L2	5.95	6.04	6.16	6.29	6.50	6.73	7.05	7.40	7.84	8.43	9.134
	L3	6.18	6.30	6.42	6.54	6.73	6.99	7.28	7.64	8.07	8.66	9.37

- NOTES**
1. CONTINUOUS DATA: THE MAX. VALUE OF OPERATING MOTOR CONTINUOUSLY.
 2. INTERMITTENT DATA: THE MAX. VALUE OF OPERATING MOTOR IS 10 % PER MINUTE.
 3. A SIMULTANEOUS MAX. RPM AND MAX. PRESSURE IS NOT RECOMMENDED.
 4. OPTIMUM OPERATING SITUATION SHOULD BE AT THE 1/3-2/3 OF THE CONTINUOUS OPERATION.

PART NUMBERS

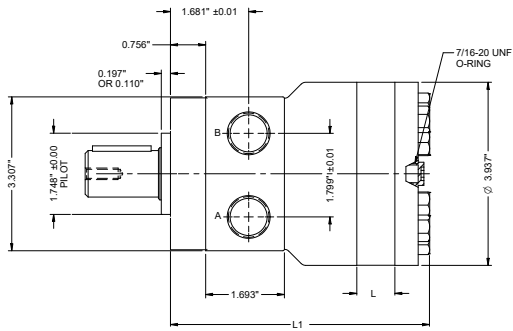
FLANGE	SHAFT	PORT SIZE	50	80	100	125	160	200	250	315	400	500
			3,0	4,8	6,1	7,6	9,7	12,2	15,2	19,2	24,4	30,4
2 BOLT	1" KEYED	SAE-10	322-0300	322-0302	322-0303	322-030A	322-0304	322-0305	322-0306	322-0307	322-0308	322-0309
		1/2NPT	322-0180	322-0182	322-0183	322-018A	322-0184	322-0185	322-0186	322-0187	322-0188	322-0189
4 BOLT	1" KEYED	SAE-10	322-0250	322-0252	322-0253	322-025A	322-0254	322-0255	322-0256	322-0257	322-0258	322-0259
		1/2NPT	322-0390	322-0392	322-0393	322-039A	322-0394	322-0395	322-0396	322-0397	322-0398	322-0399
WHEEL MOTOR	11/4" TAPER	SAE-10	328-0420F	328-0422F	328-0423F	328-042AF	328-0424F	328-0425F	328-0426F	328-0427F	328-0428F	328-0429F

ALSO AVAILABLE:

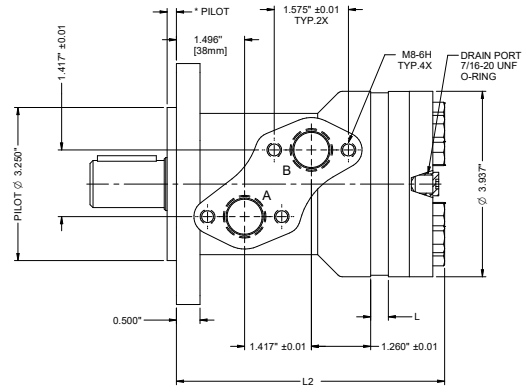
- OTHER SHAFT DIMENSIONS
- OTHER MOUNTING FLANGES
- SIDE LOAD BEARING

PORT CONFIGURATION

H TYPE

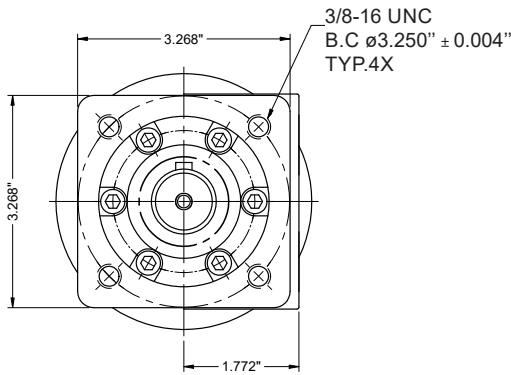


S TYPE



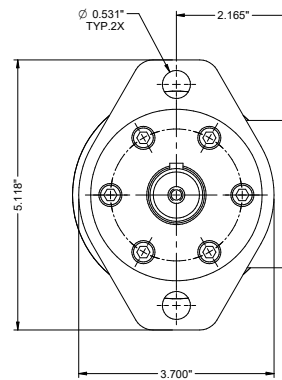
MOUNTING FLANGES

4 BOLT



SQUARE FLANGE
4X 3/8-16 UNC BOLT ON ø3.25"

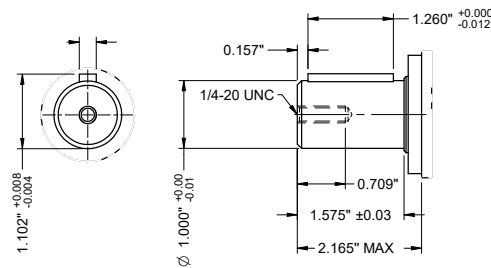
2 BOLT



2 BOLTS FLANGE, ø0.531" X 2 BOLT CENTER SPACE 4.188"
PILOT ø3.250" X 0.197"

SHAFT TYPE

1"-STRAIGHT KEY



BM2W / 1 1/4" TAPERED

